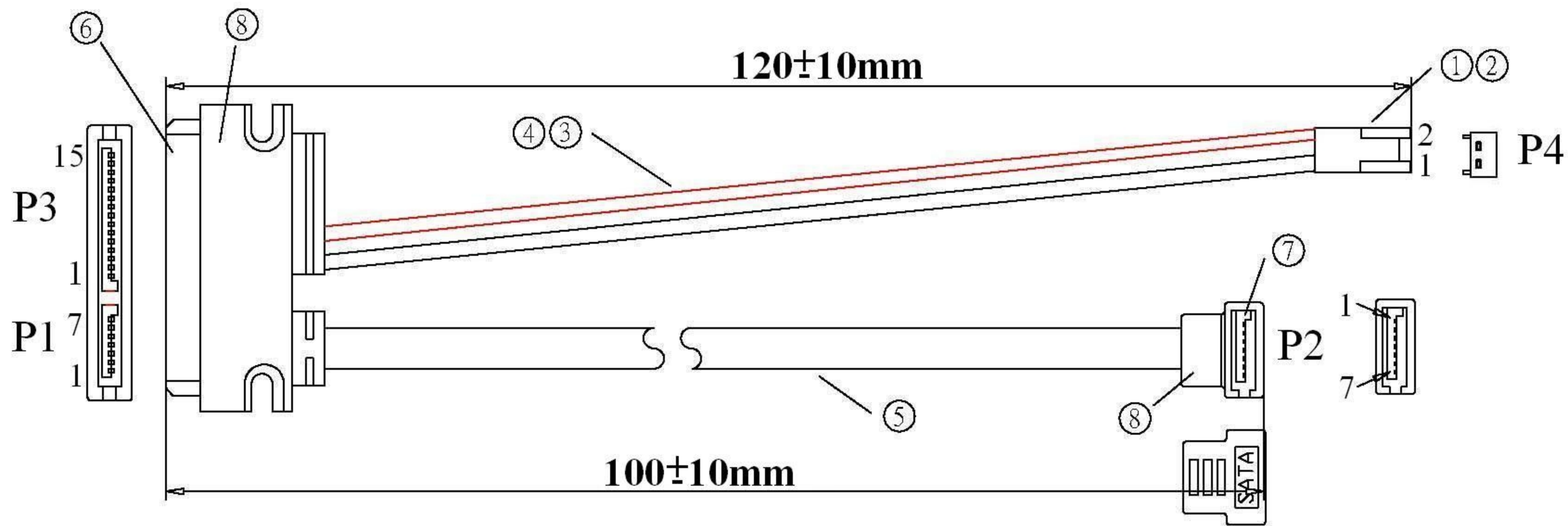
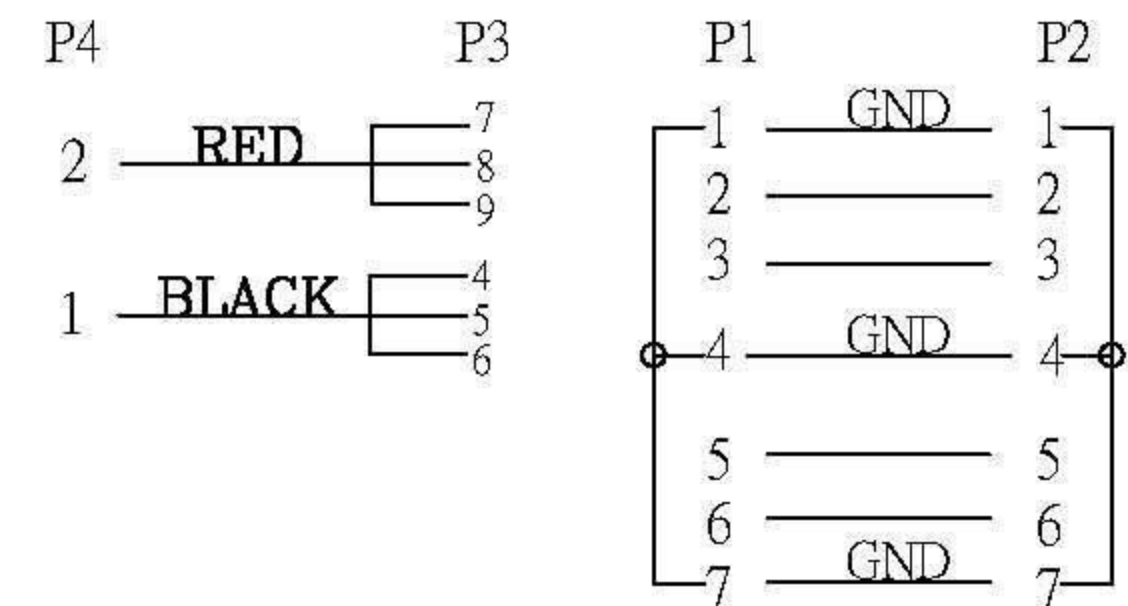


ECN NO.	DESCRIPTION	DATE	REV.	APPROVED



PIN OUT



8	Outer Mold 45P PVC Black
7	SATA 7P Terminal ; Pin Contact Gold Plated 1u"
6	SATA 7P+15P Terminal ; Pin Contact Gold Plated 1u"
5	SATA UL21149 Light Red 26AWG 7C/ST 7/0.32TC
4	UL1007 20AWG Red
3	UL1007 20AWG Black
2	2510 2P Male Terminal
1	2510 2P HOUSING

PROJECTION	TOLERANCE	APPROVAL	DWG NO.	SATA 7P+15P To SATA 7P Right Angle+2 Pin Female Electronic Wire	REV.
	.0___±0.20	CHECKAGE	ITEM	LFS Part Number:PC-103-06	A/C
	.00___±0.10	CHECKAGE			SHEET
UNITS	mm	ANGLE	SCALE		
MODEL	A4	.0___±2°			1/2

Li Fa Shun International Co., Ltd.