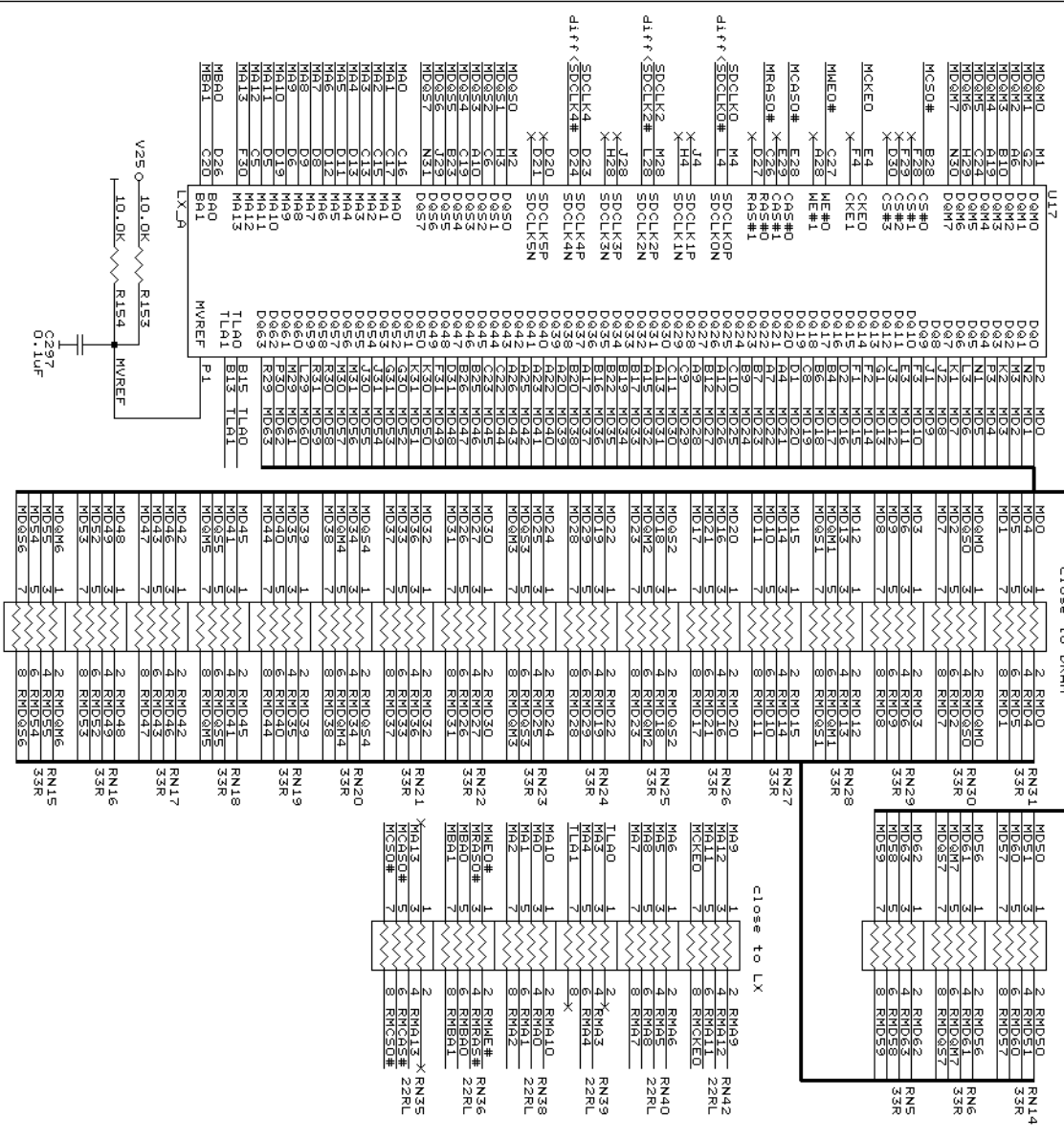
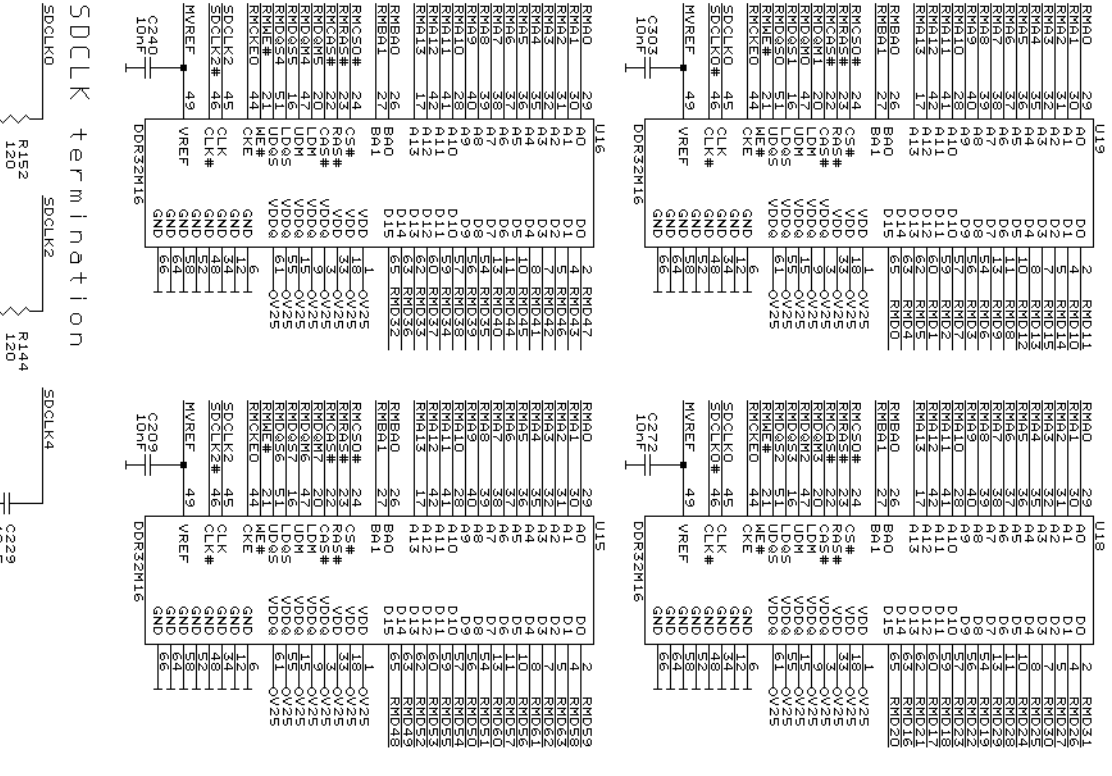


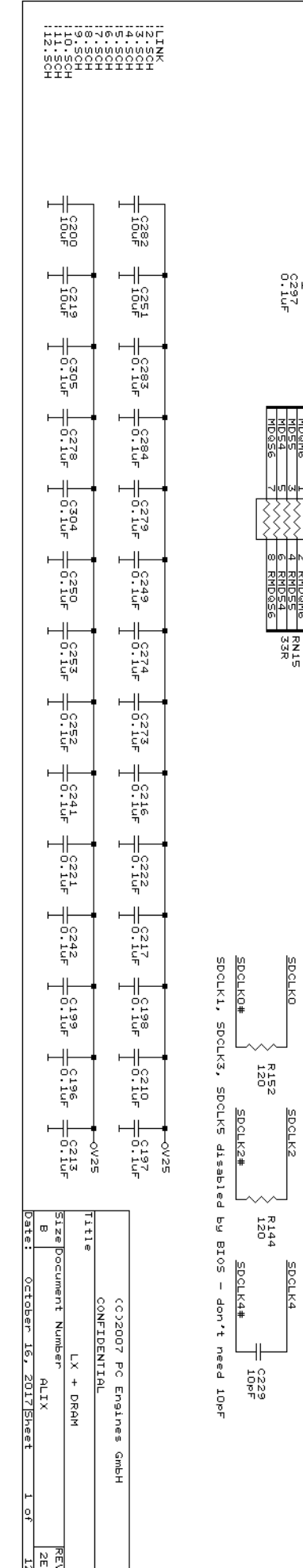
LX memory controller



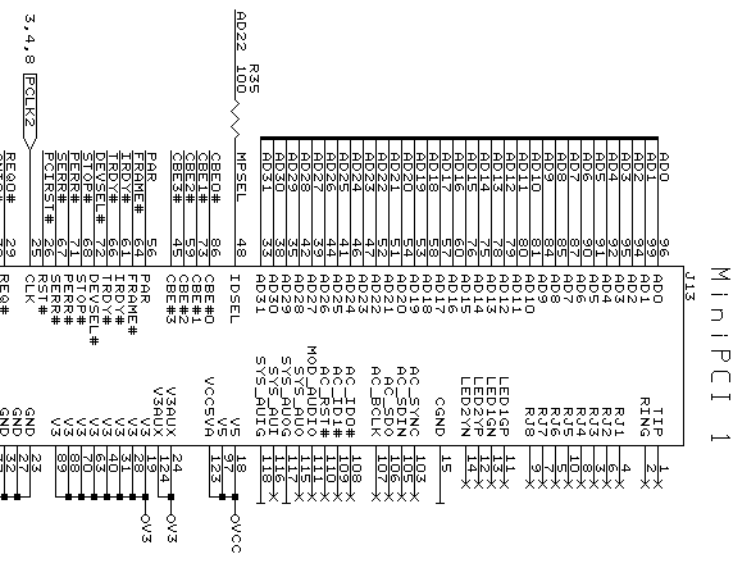
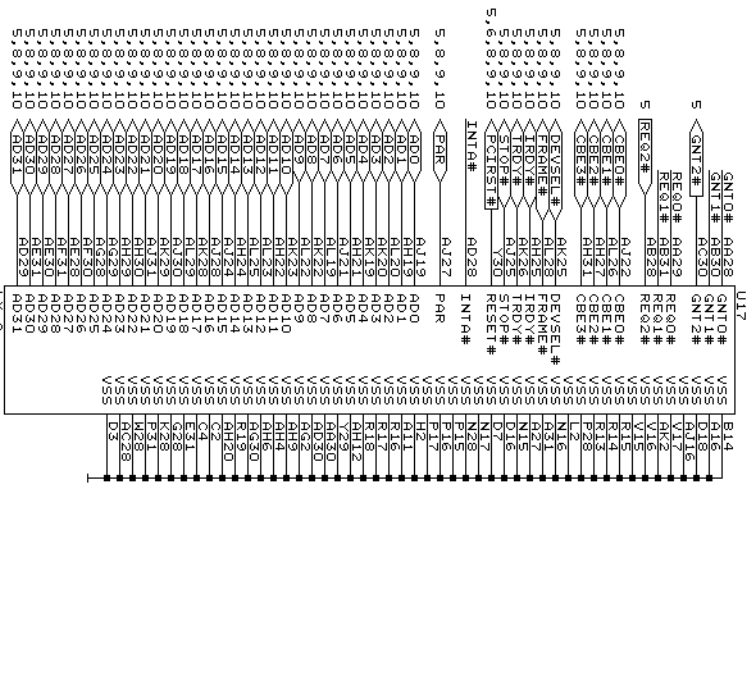
128MB or 256MB DDR DRAM (PC400)



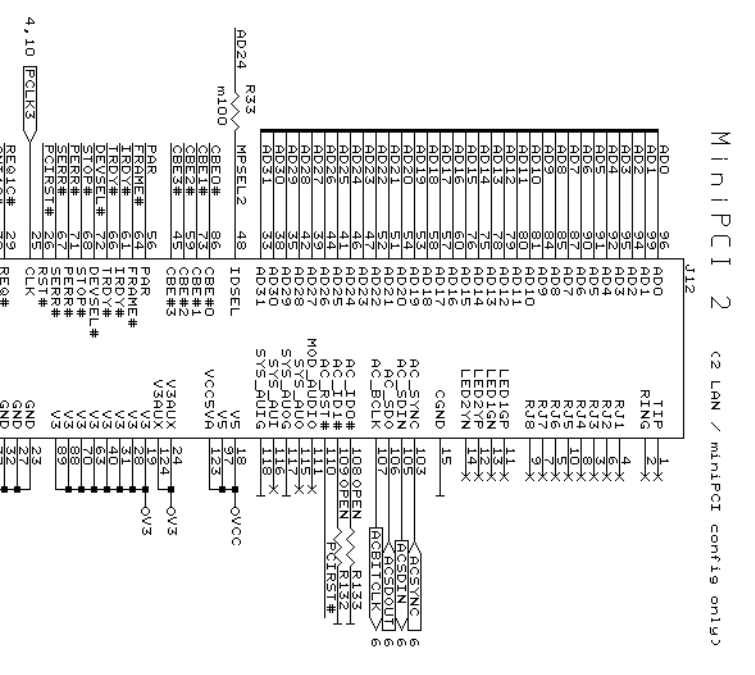
SDCLK termination



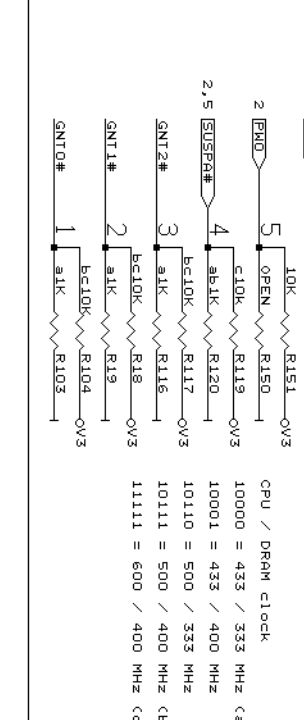
MiniPCI 1



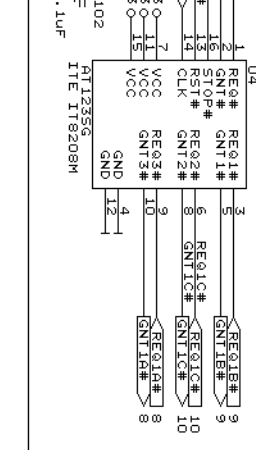
MiniPCI 2



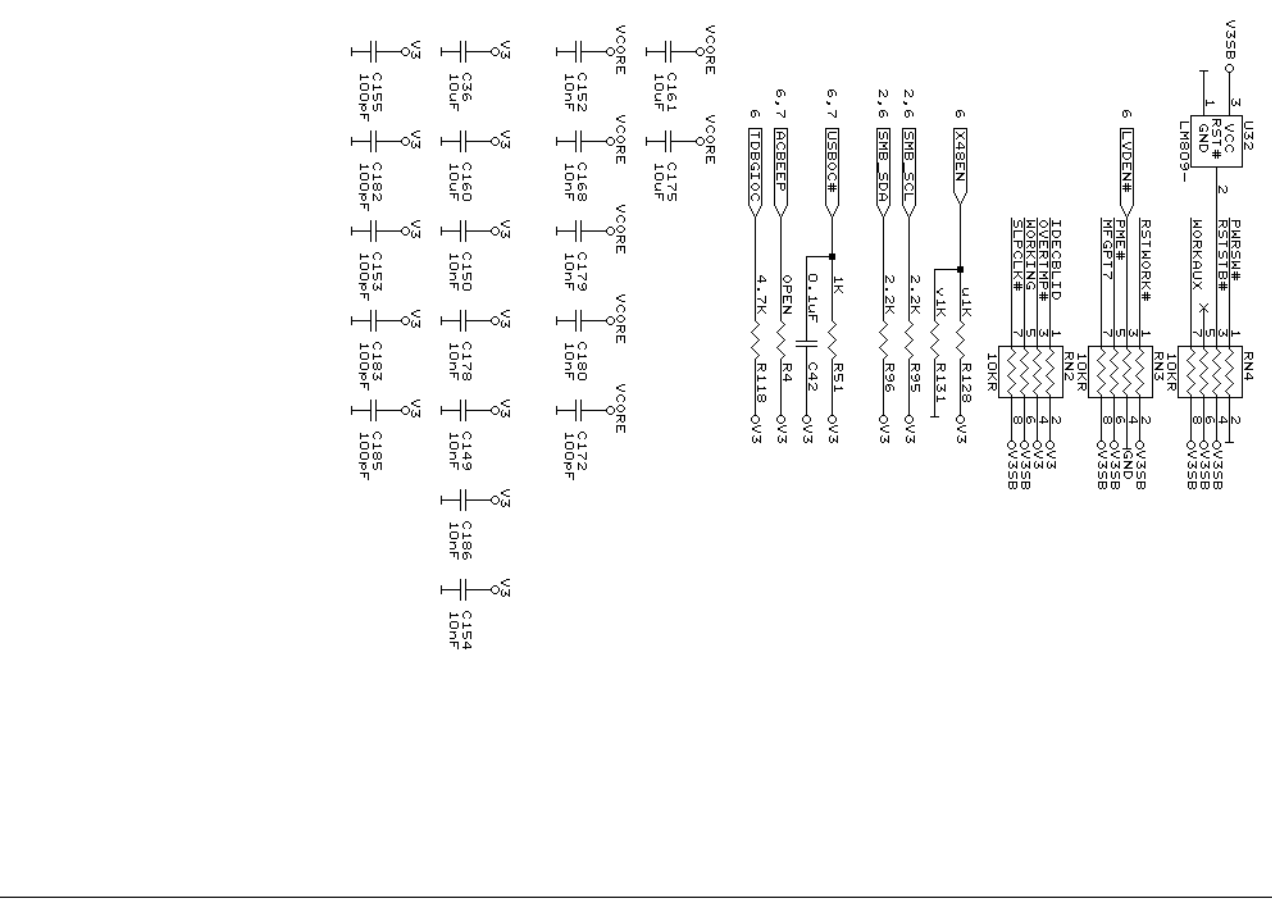
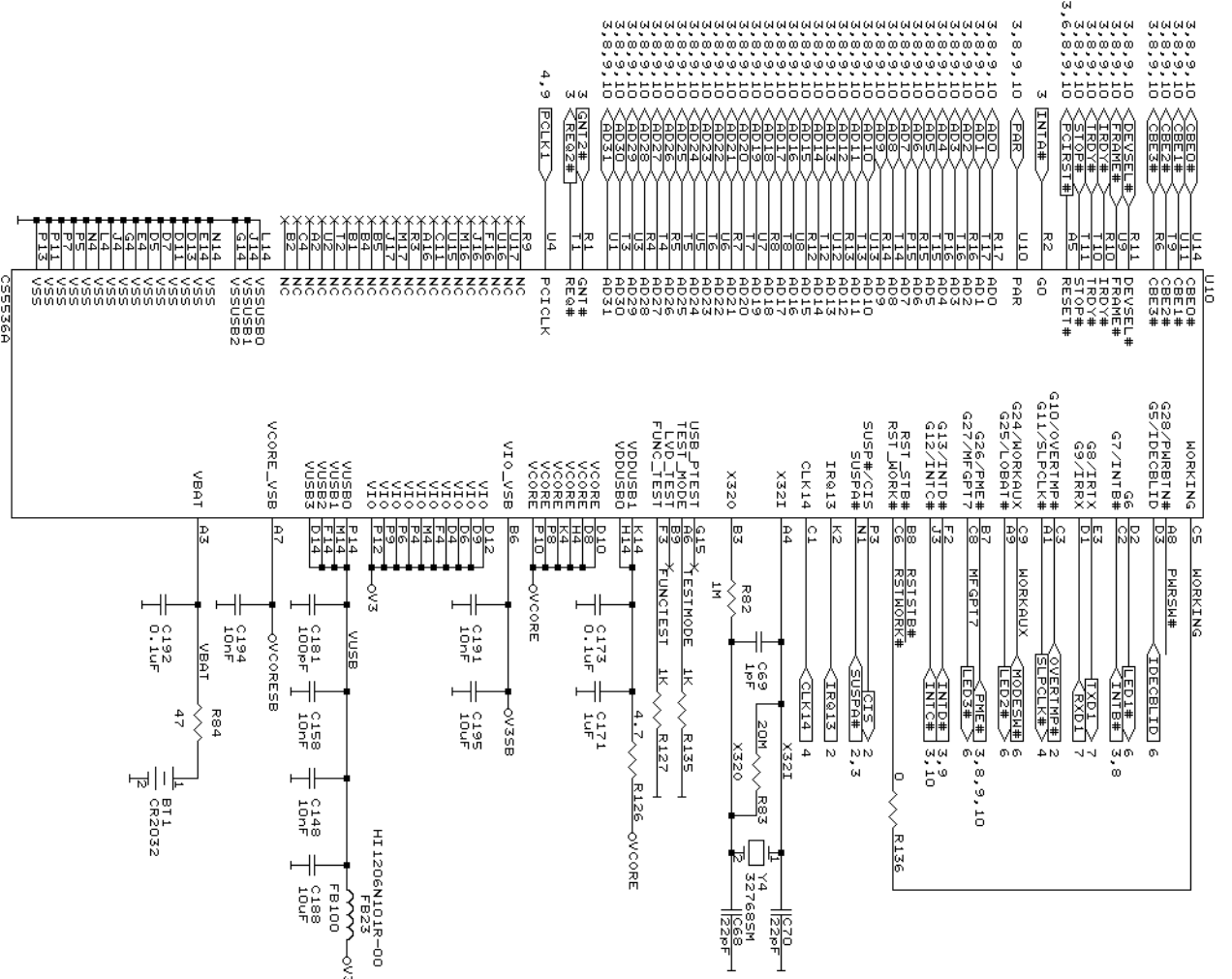
core / DRAM clock config



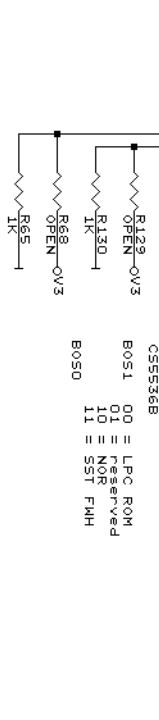
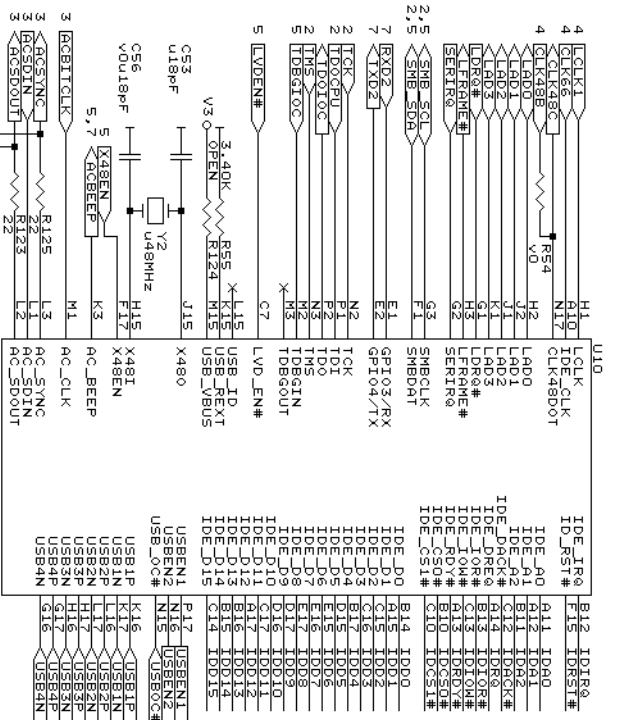
PCI arbiter



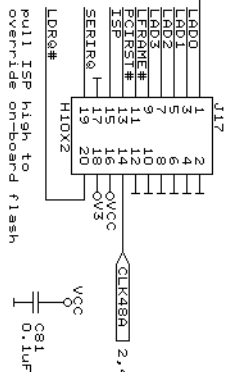
Signal	Value	Signal	Value	Signal	Value
REQ0#	10K	R102	OV3	REQ1#	10K
REQ1#	10K	R103	OV3	REQ2#	10K
REQ2#	10K	R104	OV3	FRAME#	10K
TRDY#	10K	R105	OV3	DEVSEL#	10K
DEVSEL#	10K	R106	OV3	STOP#	10K
STOP#	10K	R107	OV3	PERR#	10K
PERR#	10K	R108	OV3	SERR#	10K
SERR#	10K	R109	OV3	CLK#	10K
CLK#	10K	R110	OV3	CLKRUN#	10K
CLKRUN#	10K	R111	OV3	PME#	10K
PME#	10K	R112	OV3	MSEN	10K
MSEN	10K	R113	OV3	MFCINH#	10K
MFCINH#	10K	R114	OV3		



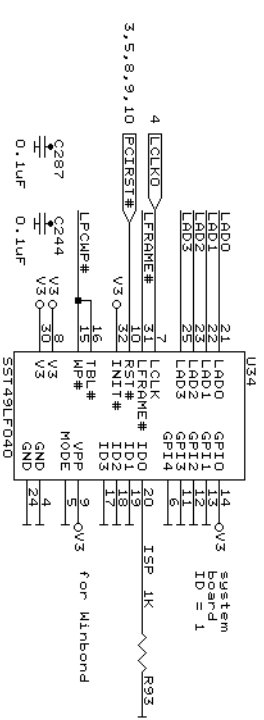
U14	CEBQ#	U14	CEBQ#
U14	CEB2#	U14	CEB2#
U14	CEB3#	U14	CEB3#
U14	DEVSEL#	U14	DEVSEL#
U14	TRDY#	U14	TRDY#
U14	STOP#	U14	STOP#
U14	RESET#	U14	RESET#
U14	PAR	U14	PAR
U14	AD0	U14	AD0
U14	AD1	U14	AD1
U14	AD2	U14	AD2
U14	AD3	U14	AD3
U14	AD4	U14	AD4
U14	AD5	U14	AD5
U14	AD6	U14	AD6
U14	AD7	U14	AD7
U14	AD8	U14	AD8
U14	AD9	U14	AD9
U14	AD10	U14	AD10
U14	AD11	U14	AD11
U14	AD12	U14	AD12
U14	AD13	U14	AD13
U14	AD14	U14	AD14
U14	AD15	U14	AD15
U14	AD16	U14	AD16
U14	AD17	U14	AD17
U14	AD18	U14	AD18
U14	AD19	U14	AD19
U14	AD20	U14	AD20
U14	AD21	U14	AD21
U14	AD22	U14	AD22
U14	AD23	U14	AD23
U14	AD24	U14	AD24
U14	AD25	U14	AD25
U14	AD26	U14	AD26
U14	AD27	U14	AD27
U14	AD28	U14	AD28
U14	AD29	U14	AD29
U14	AD30	U14	AD30
U14	AD31	U14	AD31
U14	REG2#	U14	REG2#
U14	REG3#	U14	REG3#
U14	REG4#	U14	REG4#
U14	PCICLK	U14	PCICLK



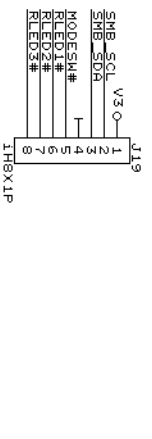
LPC expansion port



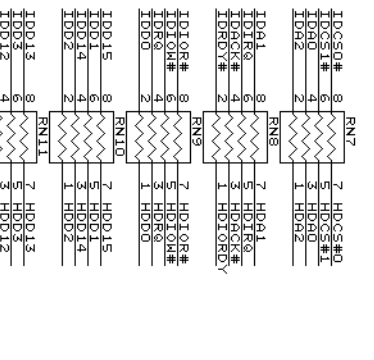
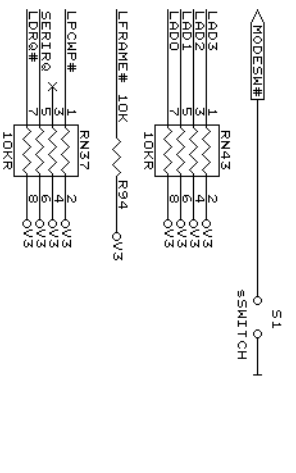
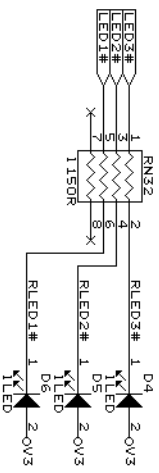
LPC flash



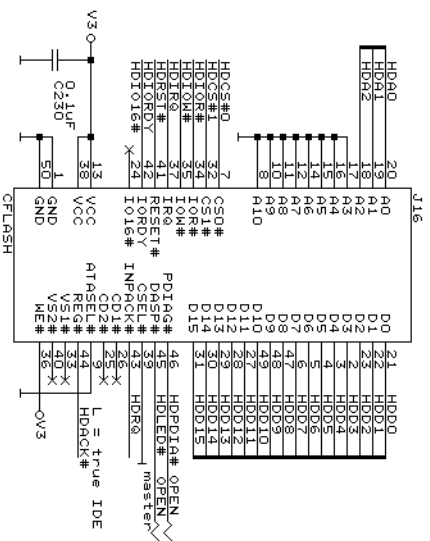
I2C option



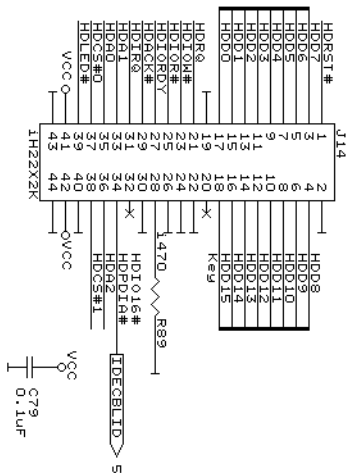
LED + switch

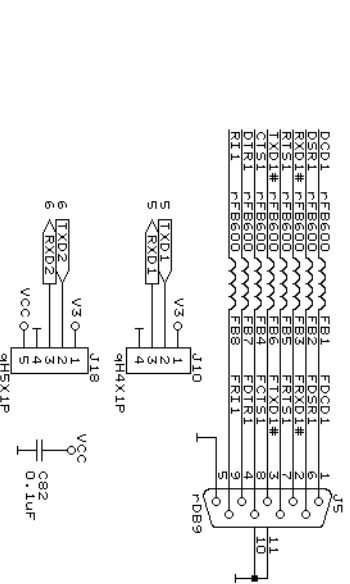
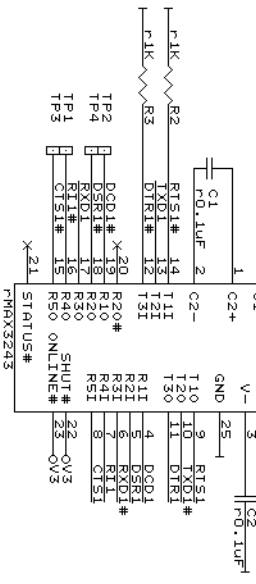
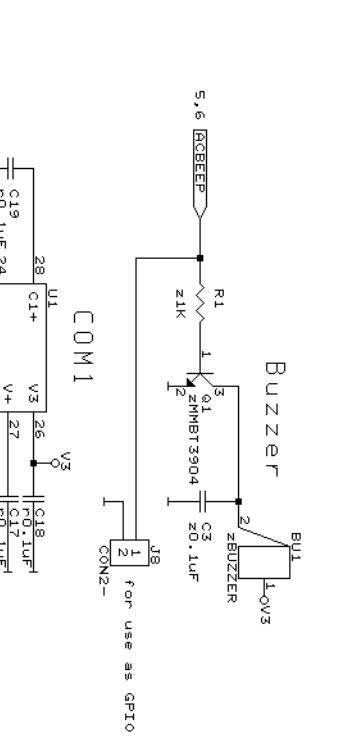
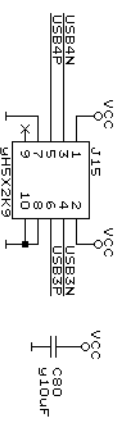
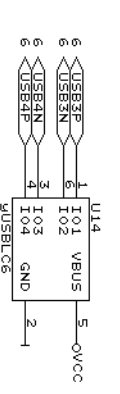
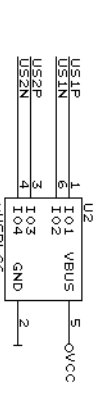
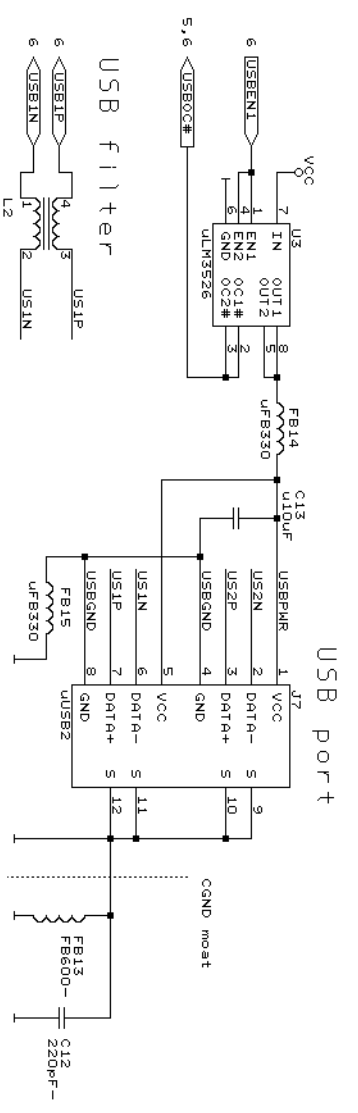


Compact flash

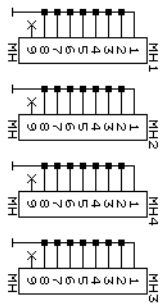


IDE

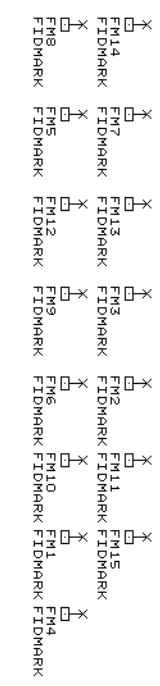




Mounting holes

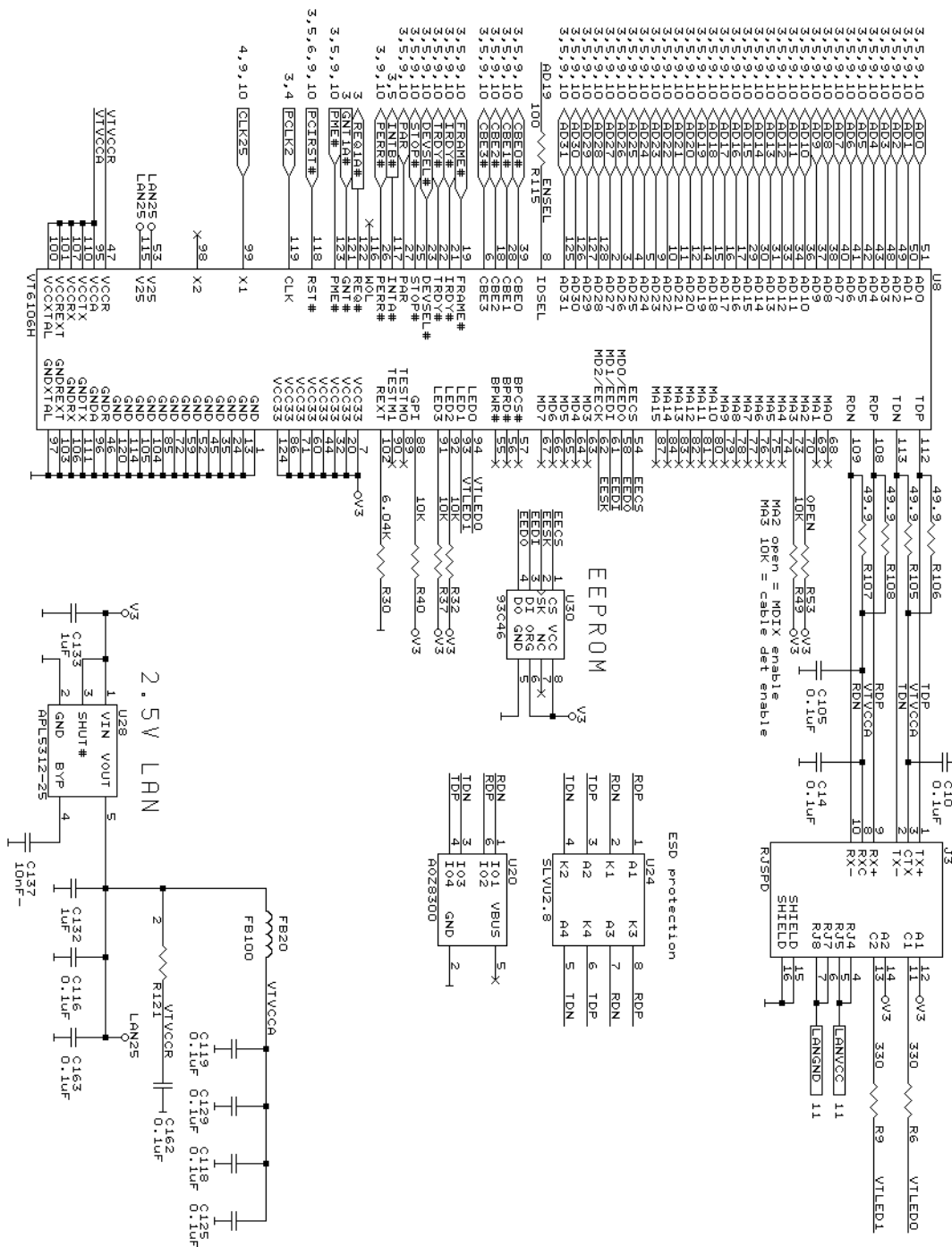


Fiducial marks

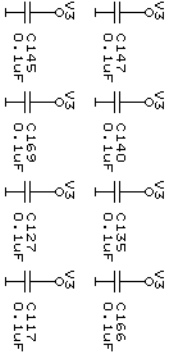


CC)2007 PC Engines GmbH	
CONFIDENTIAL	
Title USB, front panel	
Size	Document Number ALIX
Date:	October 19, 2017 Sheet 7 of 12
REV	2E

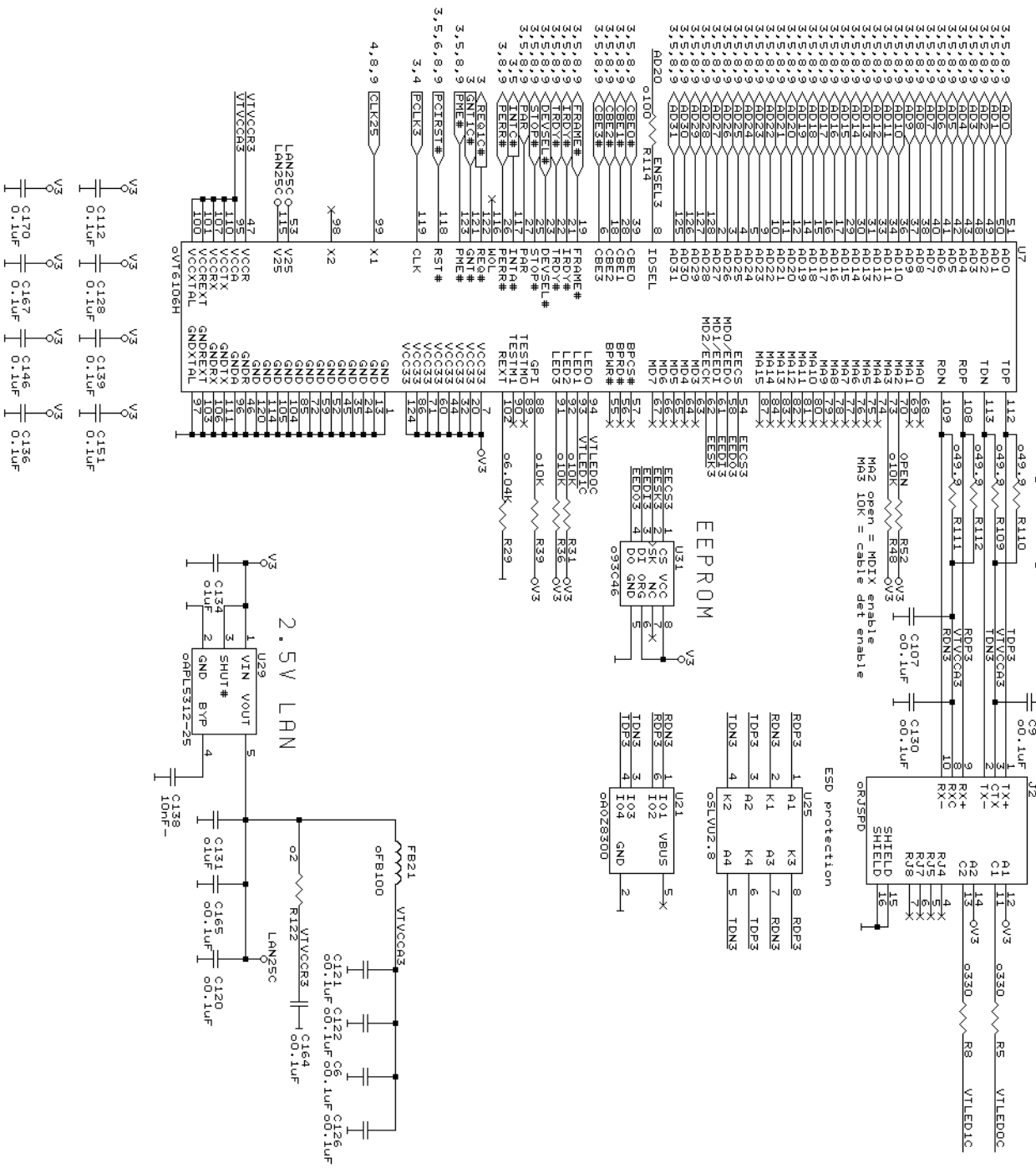
VT6106H LAN 1



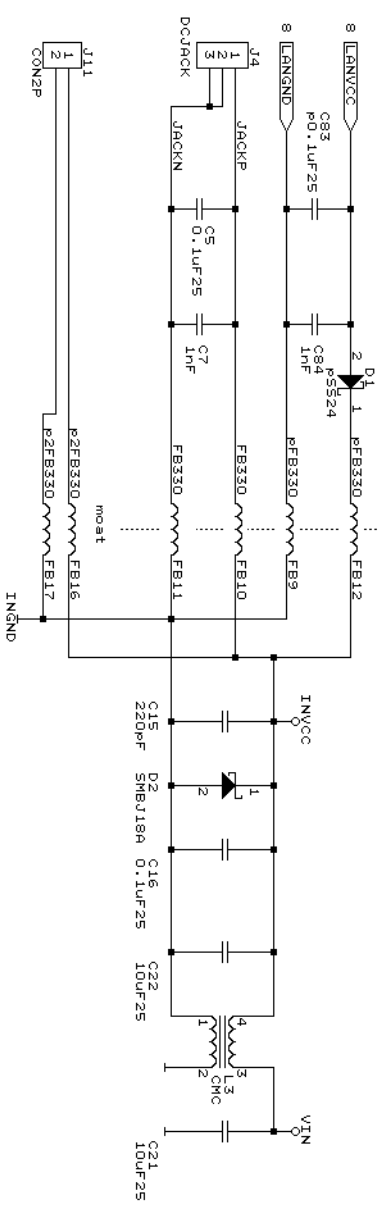
2.5V LAN



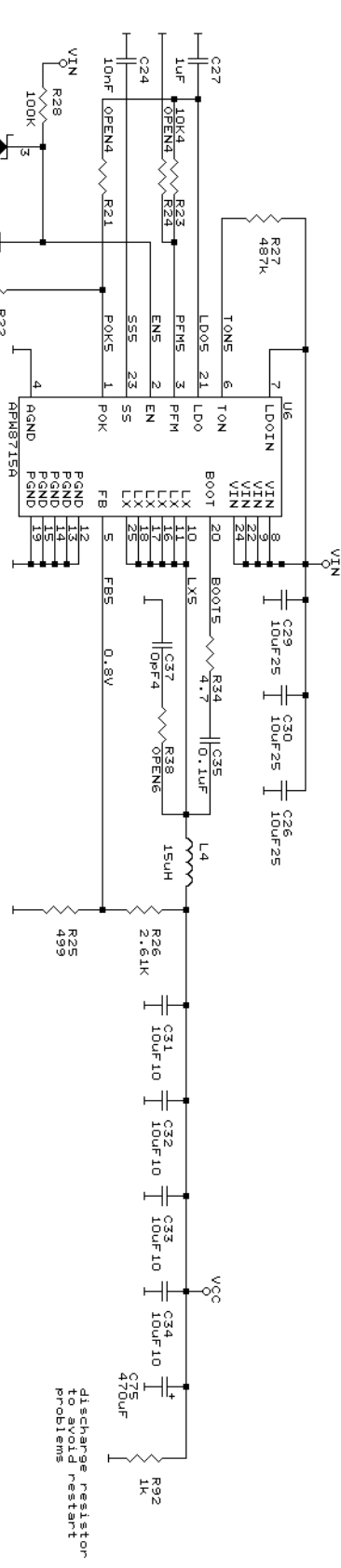
VT6106H LAN 2 (3 LAN config only)



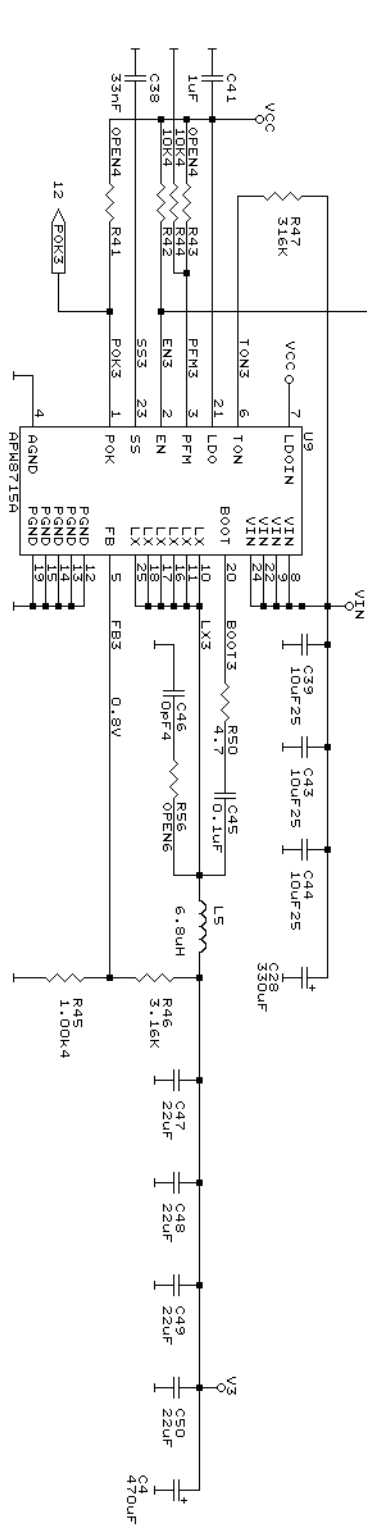
Power input +7..20V



5V regulator



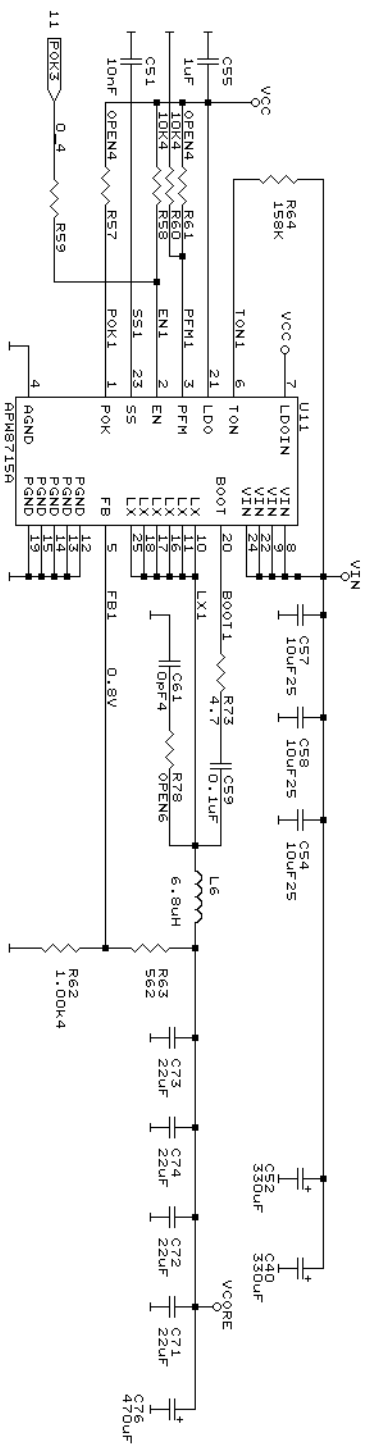
3.3V regulator



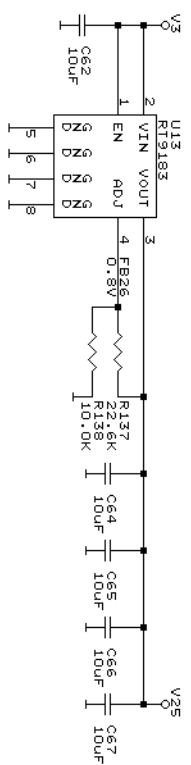
discharge resistor
to avoid restart
problems

CC2007 PC Engines GmbH	
CONFIDENTIAL	
Title	Power supply
Size/Document Number	ALIIX
REV	6.1
Date:	October 26, 2017/Sheet 11 of 12

VCORE regulator 1.25V 2.5A



2.6V DDR supply



3.3V standby 1.2V standby



CC)2007 PC Engines GmbH	
CONFIDENTIAL	
Title Power supply	
Size	Document Number ALIX
REV	6.1
Date:	October 16, 2017 Sheet 12 of 12